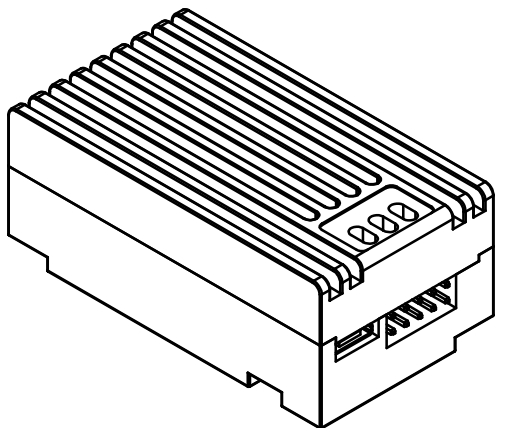
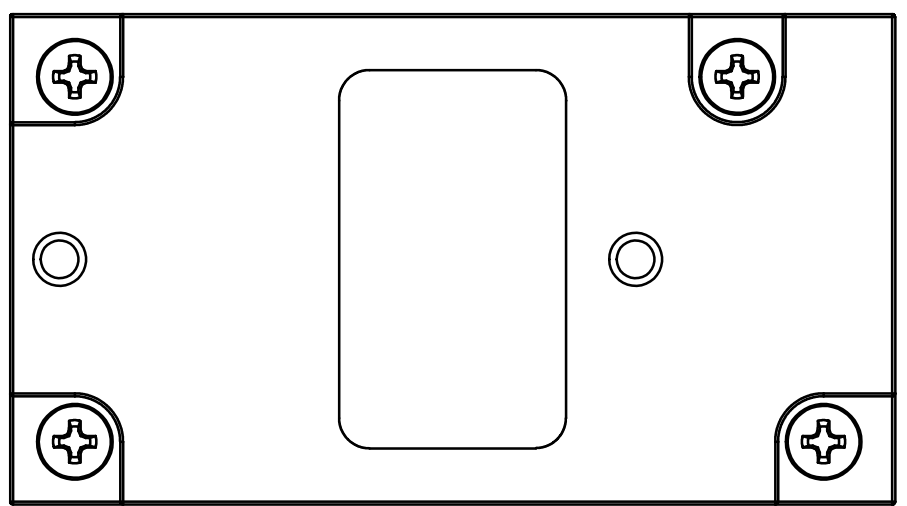
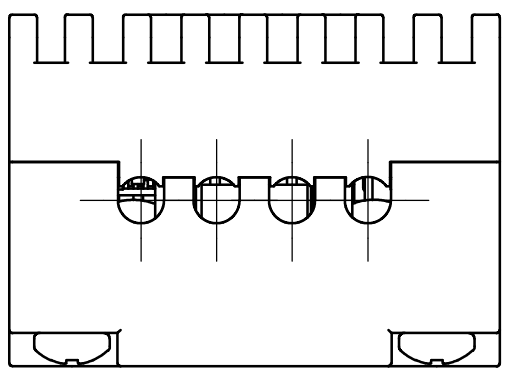
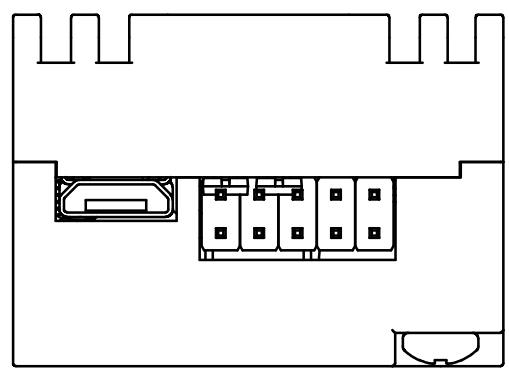
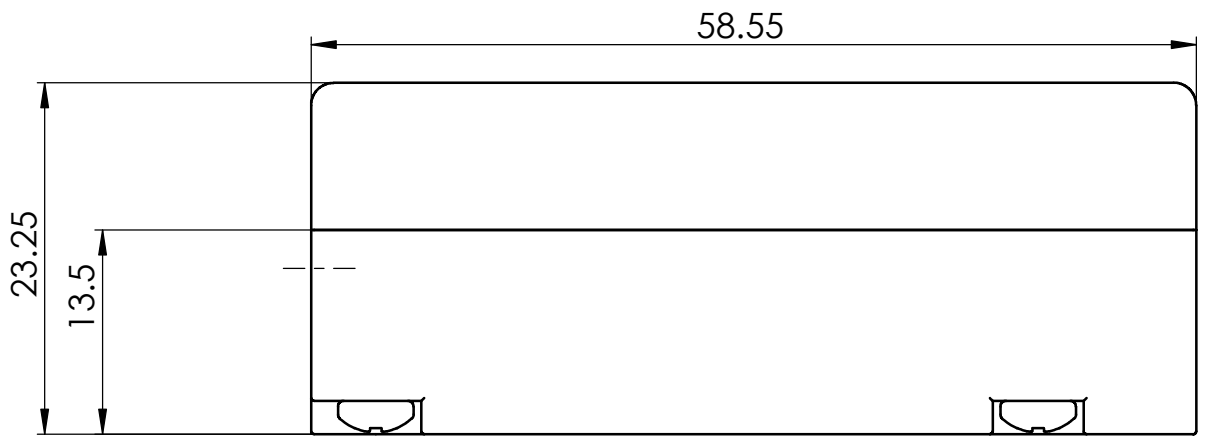



8 7 6 5 4 3 2 1

D
C
B
A

D
C
B
A



UNIT:	MM	MATERIAL:		
TOLERANCES UNLESS OTHERWISE SPECIFIED		FINISH:		
ANGULAR:	± 1.0°	SCALE:	SHEET NO:	<small>THIS PRINT AND THE INFORMATION CONTAINED THEREIN ARE PROPERTY OF DALE KUBIN. ARE FURNISHED TO THE HOLDER IN CONFIDENCE AND ARE NOT TO BE REPRODUCED, USED OR DISCLOSED TO OTHERS WITHOUT THE EXPRESS WRITTEN PERMISSION OF DALE KUBIN.</small>
DECIMAL .X	± 0.1	2:1	6 OF 6	
DECIMAL .XX	± 0.01	DRAWN BY: Vinh		
DECIMAL .XXX	± 0.005	DATE: 9/8/2016		
COMMERCIAL TOLERANCES SHALL APPLY ON BAR ROD, WIRE, SHEET, ETC.		APPROVED BY:		PART NAME: RoboClaw Solo
		DATE:		PART NO.: MCONE-V1
				REV: 0

8 7 6 5 4 3 2 1