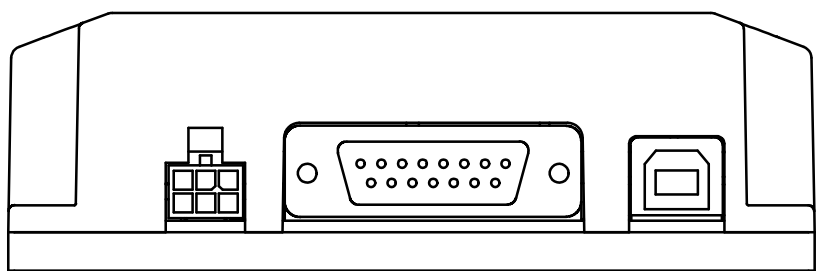
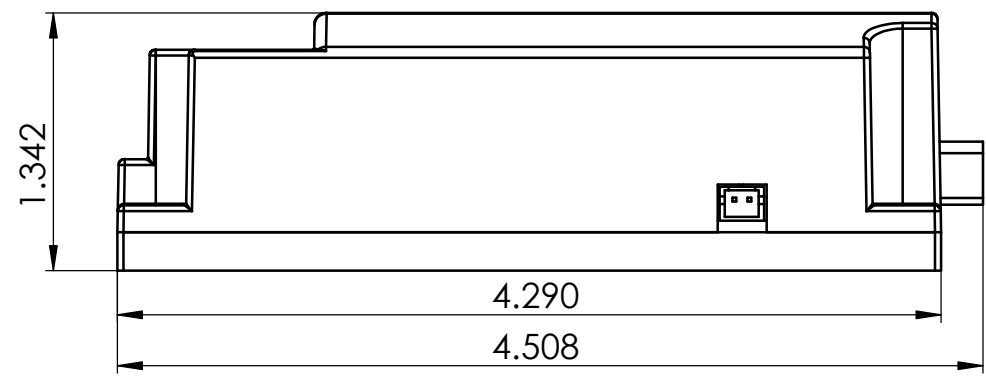
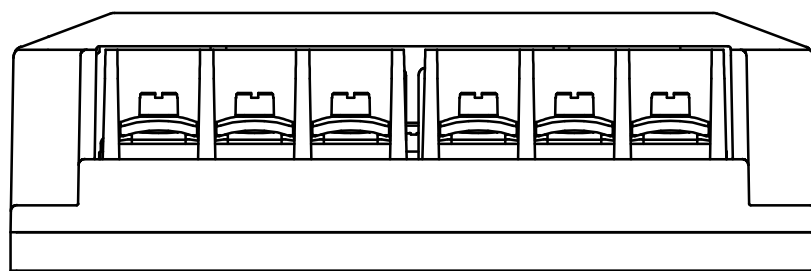
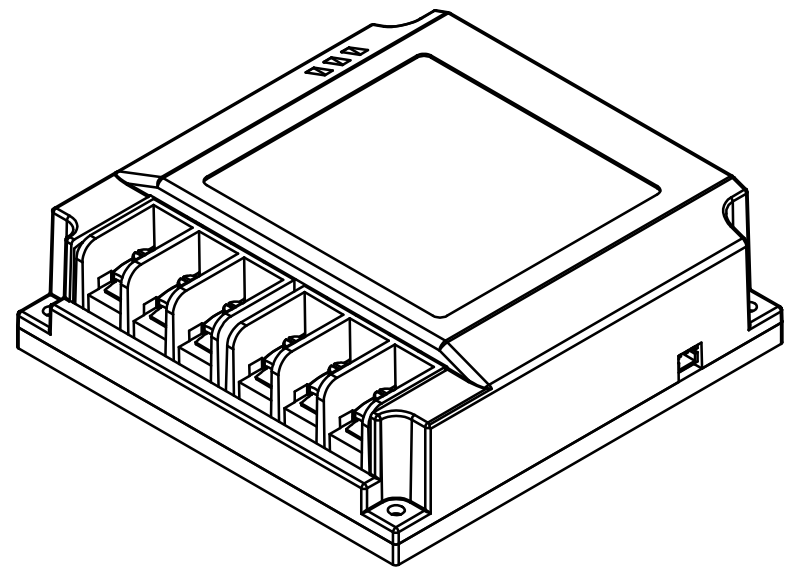
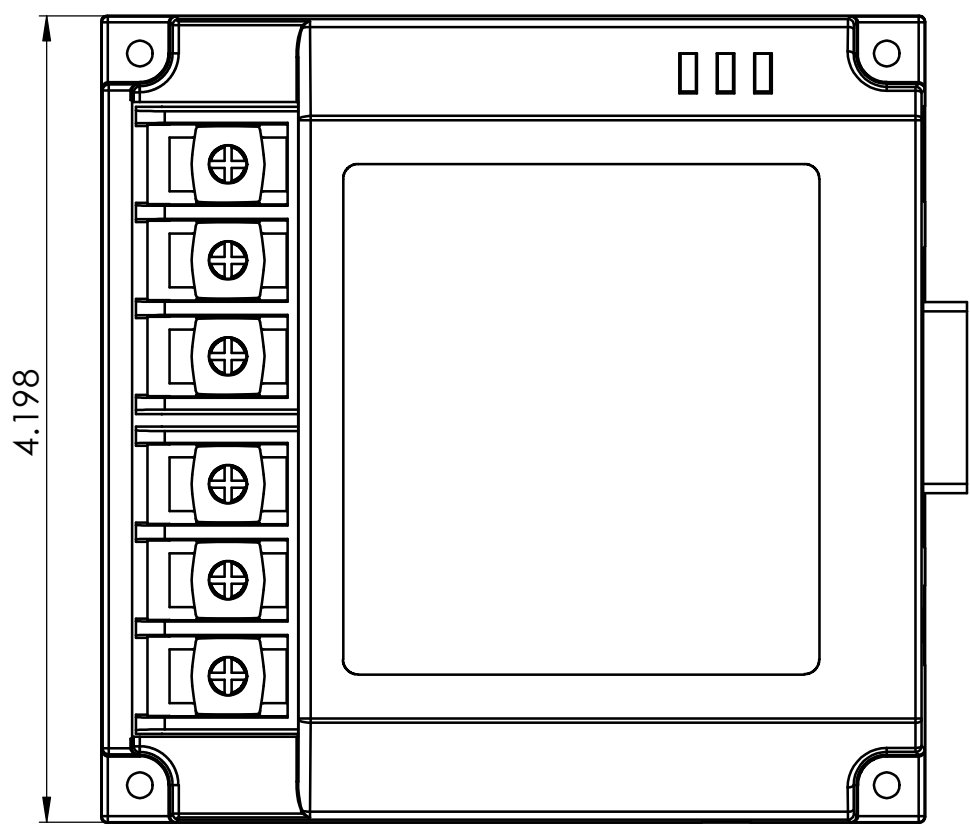



8 7 6 5 4 3 2 1

D
C
B
A

D
C
B
A



UNIT: INCH	MATERIAL:			
TOLERANCES UNLESS OTHERWISE SPECIFIED	FINISH:			
ANGULAR: ± 1.0°	SCALE: 1:1	SHEET NO: 1 OF 7		<small>THIS PRINT AND THE INFORMATION CONTAINED THEREIN ARE PROPERTY OF DALE KUBIN. ARE FURNISHED TO THE HOLDER IN CONFIDENCE AND ARE NOT TO BE REPRODUCED, USED OR DISCLOSED TO OTHERS WITHOUT THE EXPRESS WRITTEN PERMISSION OF DALE KUBIN.</small>
DECIMAL .X ± 0.1	DRAWN BY: Vinh		DATE: 10/11/2014	
DECIMAL .XX ± 0.01	APPROVED BY:		DATE:	
DECIMAL .XXX ± 0.005	COMMERCIAL TOLERANCES SHALL APPLY ON BAR ROD, WIRE, SHEET, ETC.		DATE:	
			PART NAME: MCP 2X60A	
			PART NO.: MCP260A	REV 1

8 7 6 5 4 3 2 1