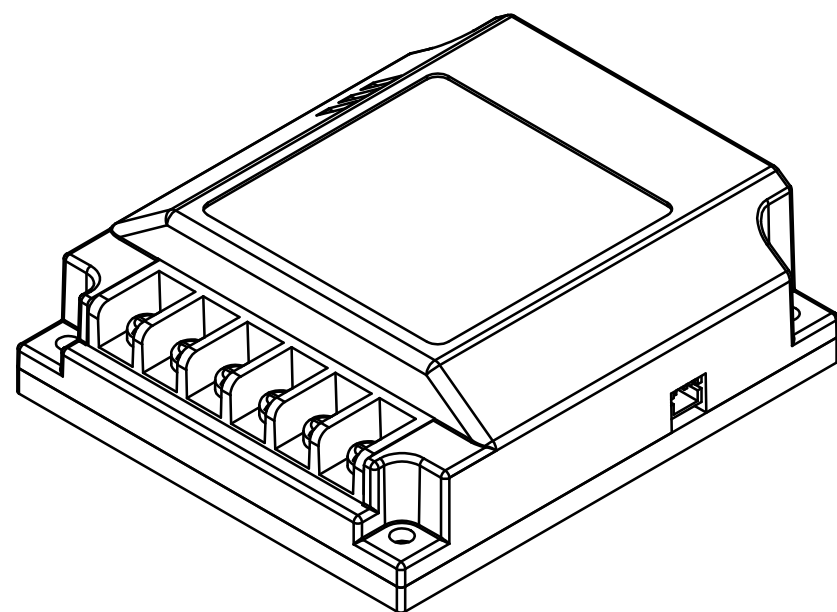
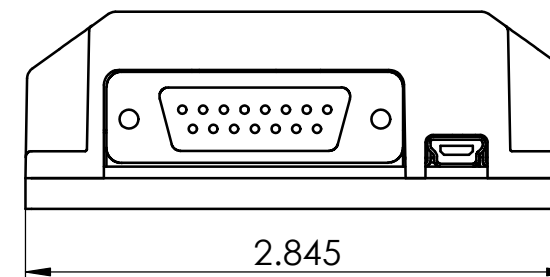
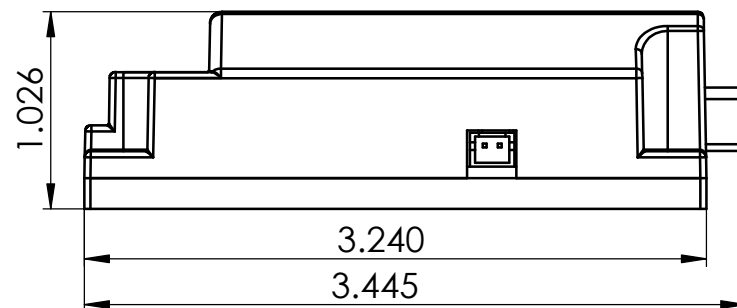
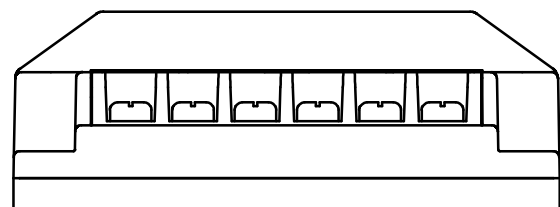
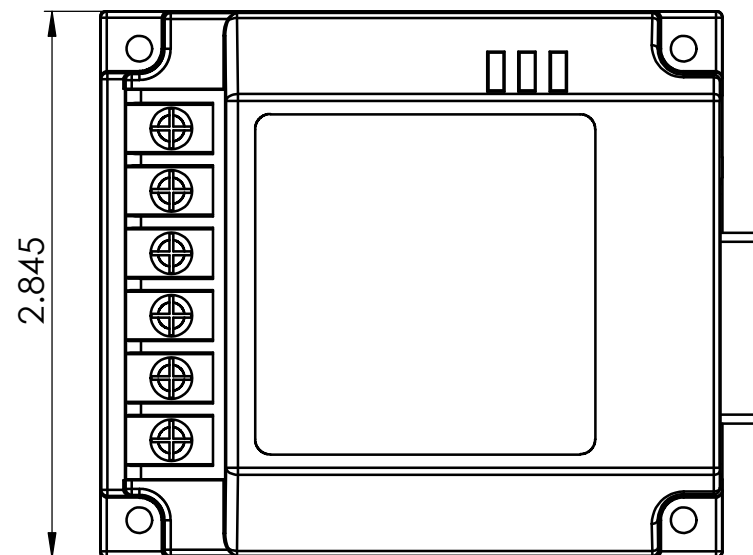



8 7 6 5 4 3 2 1

D  
C  
B  
A

D  
C  
B  
A



8 7 6 5 4 3 2 1

UNIT:	INCH	MATERIAL:		
TOLERANCES UNLESS OTHERWISE SPECIFIED		FINISH:		
ANGULAR:	± 1.0°	SCALE:	1:1	SHEET NO:
DECIMAL .X	± 0.1			1 OF 8
DECIMAL .XX	± 0.01	DRAWN BY:		DATE:
DECIMAL .XXX	± 0.005	Vinh		10/12/2014
COMMERCIAL TOLERANCES SHALL APPLY ON BAR ROD, WIRE, SHEET, ETC.		APPROVED BY:		DATE:
				PART NAME
				MCP 2X30A
				PART NO.
				MCP230A
				REV
				1

THIS PRINT AND THE INFORMATION CONTAINED THEREIN ARE PROPERTY OF DALE KUBIN. ARE FURNISHED TO THE HOLDER IN CONFIDENCE AND ARE NOT TO BE REPRODUCED, USED OR DISCLOSED TO OTHERS WITHOUT THE EXPRESS WRITTEN PERMISSION OF DALE KUBIN.