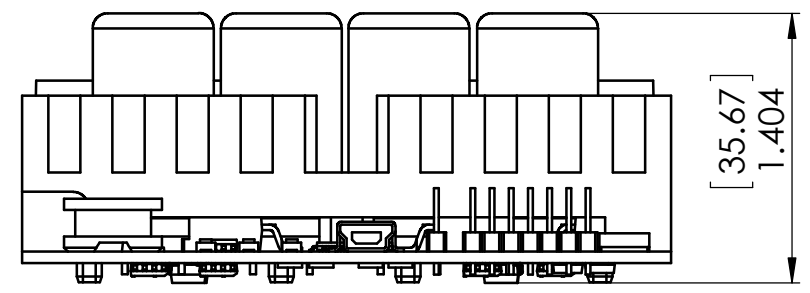
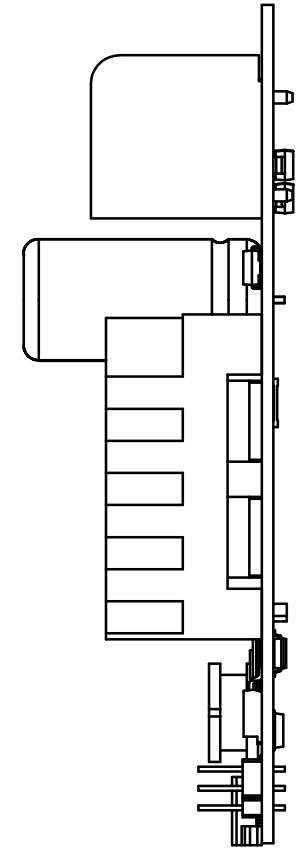
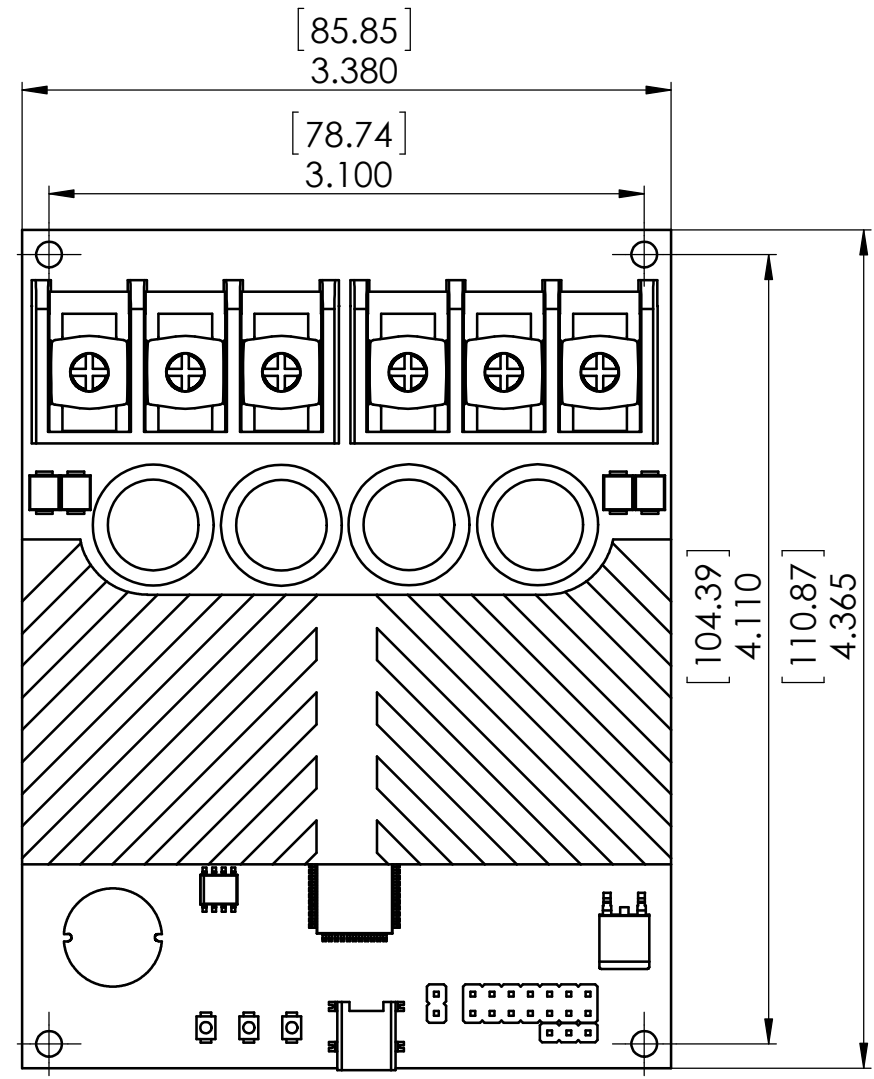
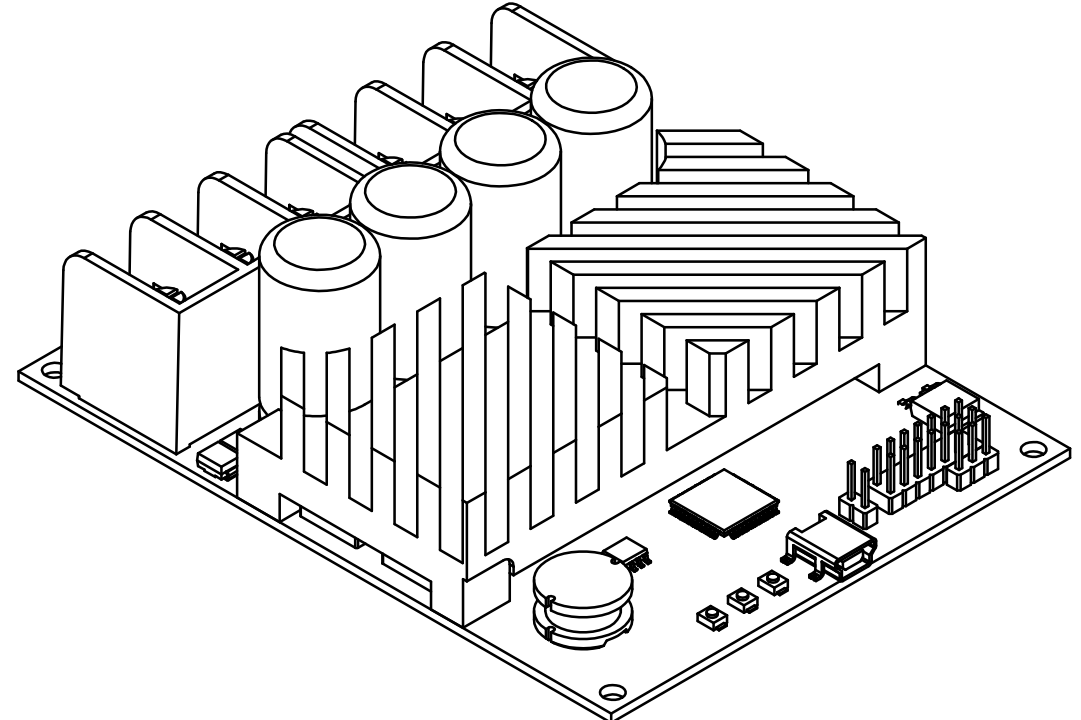



8 7 6 5 4 3 2 1

D
C
B
A

D
C
B
A



| | | | | |
|---|----------|--------------|------------|--|
| UNIT: | INCH[MM] | MATERIAL: | |  |
| TOLERANCES UNLESS OTHERWISE SPECIFIED | | FINISH: | | |
| ANGULAR: | ± 1.0° | SCALE: | SHEET NO: | <small>THIS PRINT AND THE INFORMATION CONTAINED THERIN ARE PROPERTY OF DALE KUBIN. ARE FURNISHED TO THE HOLDER IN CONFIDENCE AND ARE NOT TO BE REPRODUCED, USED OR DISCLOSED TO OTHERS WITHOUT THE EXPRESS WRITTEN PERMISSION OF DALE KUBIN.</small> PART NAME MC60A-HV-DIMENSIONS |
| DECIMAL .X | ± 0.1 | 1:1 | 1 OF 2 | |
| DECIMAL .XX | ± 0.01 | DRAWN BY: | DATE: | |
| DECIMAL .XXX | ± 0.005 | Vinh | 11/28/2014 | |
| COMMERCIAL TOLERANCES SHALL APPLY ON BAR ROD, WIRE, SHEET, ETC. | | APPROVED BY: | DATE: | PART NO. MC60A-HV |
| | | | | REV 1 |

8 7 6 5 4 3 2 1