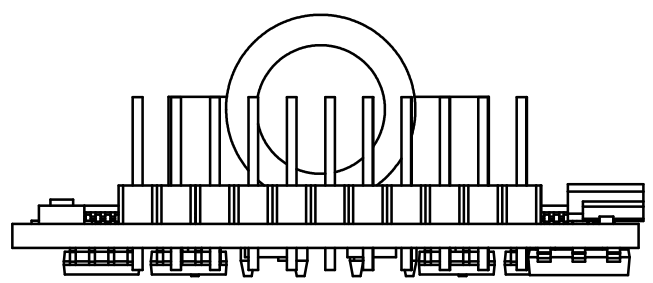
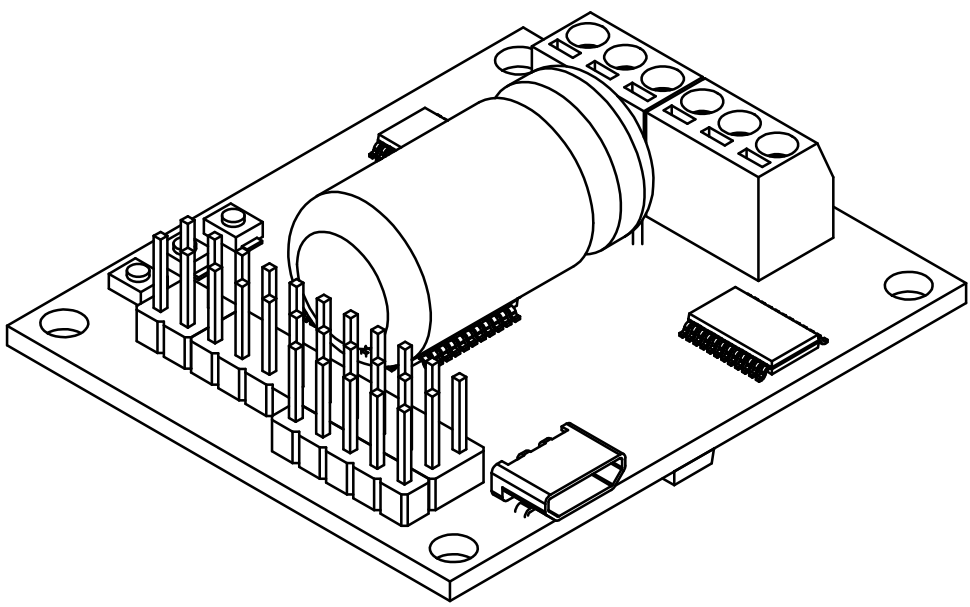
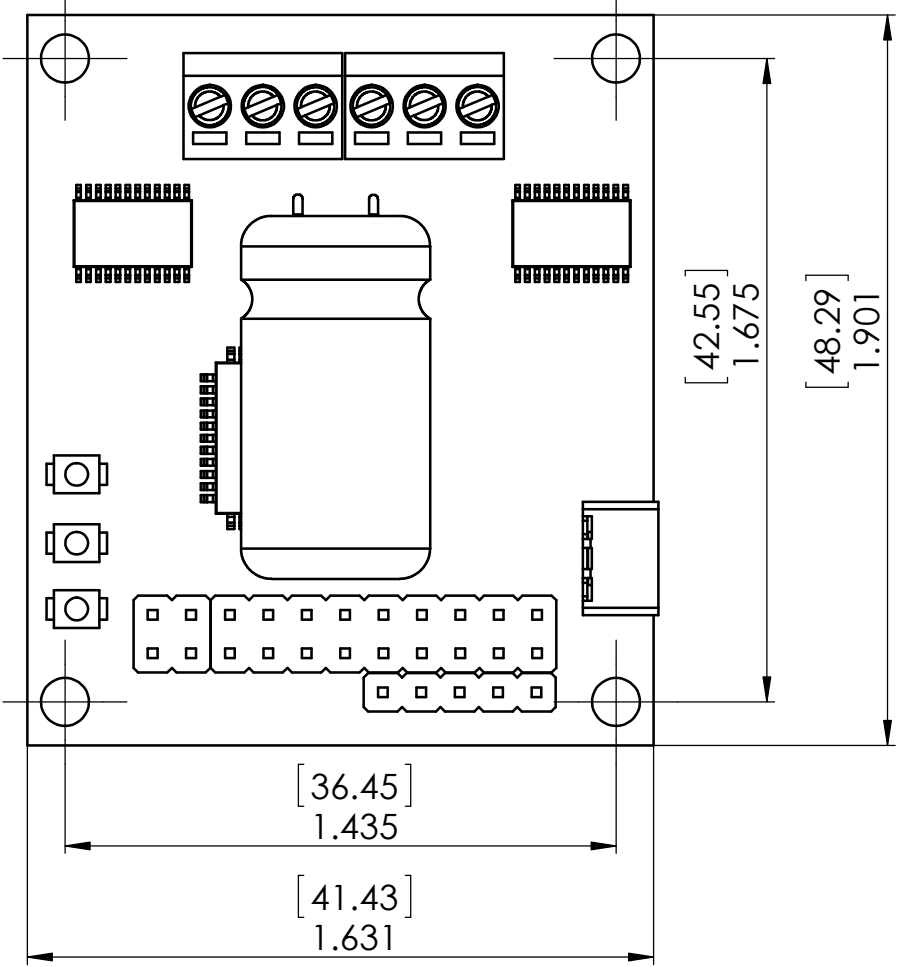
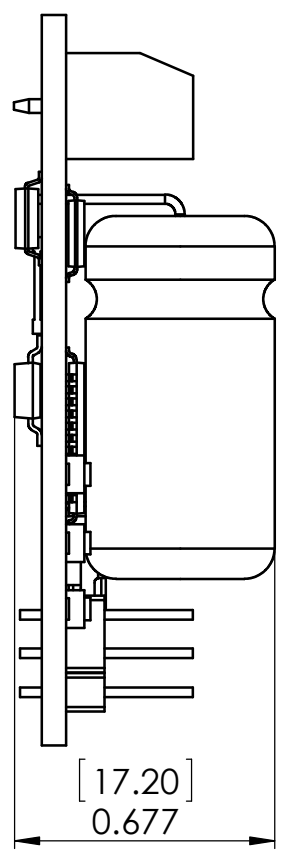



8 7 6 5 4 3 2 1

D  
C  
B  
A



8 7 6 5 4 3 2 1

UNIT:	INCH[MM]	MATERIAL:					
TOLERANCES UNLESS OTHERWISE SPECIFIED		FINISH:					
ANGULAR:	± 1.0°	SCALE:	2:1	SHEET NO:	1 OF 2	<small>THIS PRINT AND THE INFORMATION CONTAINED THERIN ARE PROPERTY OF DALE KUBIN. ARE FURNISHED TO THE HOLDER IN CONFIDENCE AND ARE NOT TO BE REPRODUCED, USED OR DISCLOSED TO OTHERS WITHOUT THE EXPRESS WRITTEN PERMISSION OF DALE KUBIN.</small>	
DECIMAL .X	± 0.1	DRAWN BY:		DATE:	11/27/2014		
DECIMAL .XX	± 0.01	Vinh		PART NAME			ROBOCLAW 2X5A
DECIMAL .XXX	± 0.005	APPROVED BY:		DATE:	PART NO.		MC5A-V5
COMMERCIAL TOLERANCES SHALL APPLY ON BAR ROD, WIRE, SHEET, ETC.						REV	5