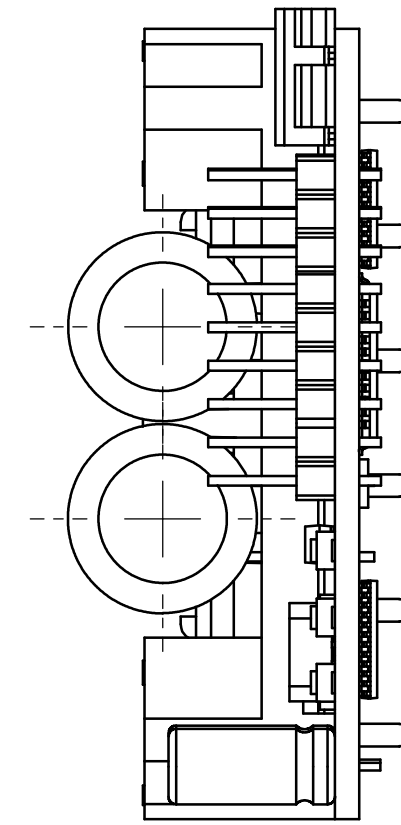
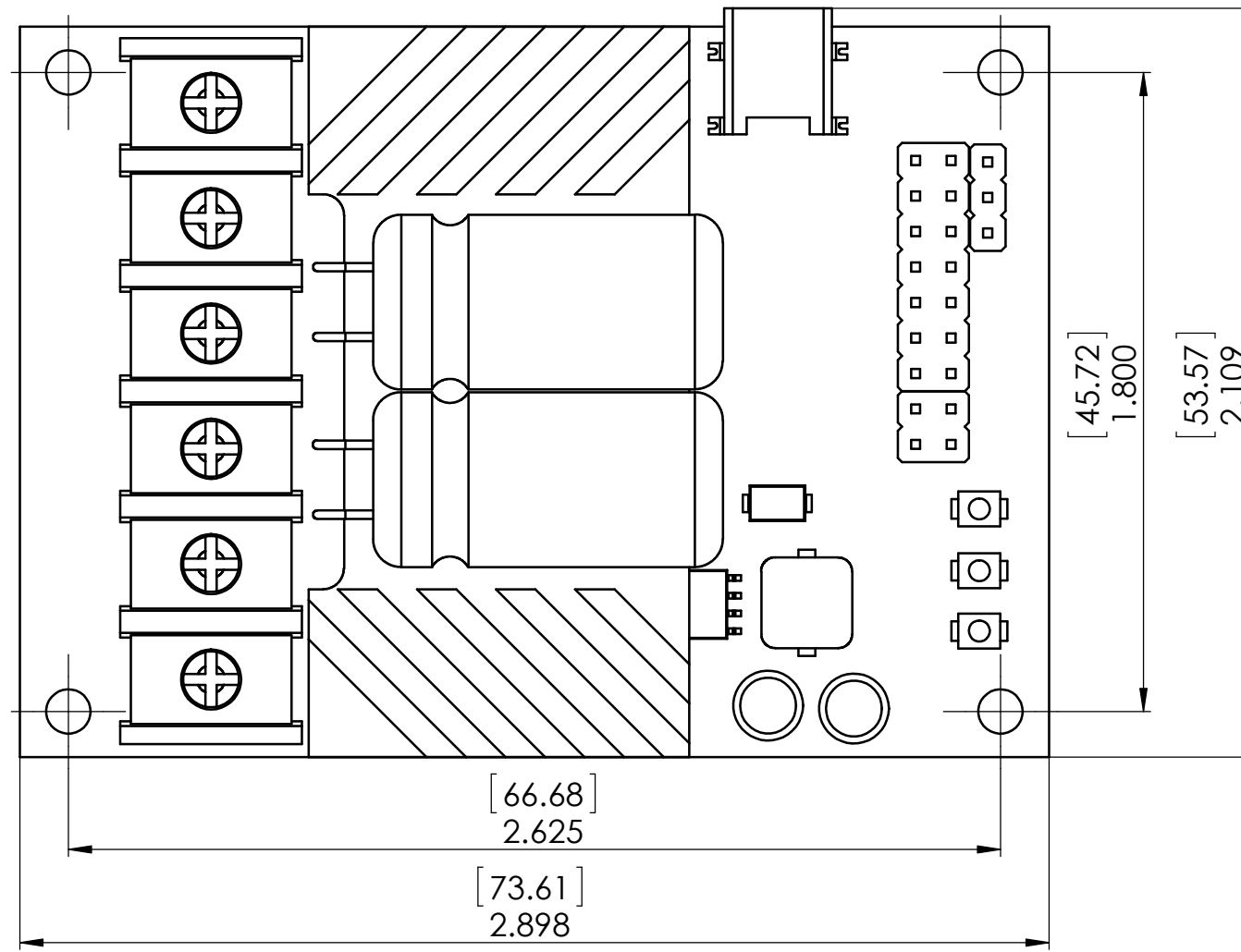
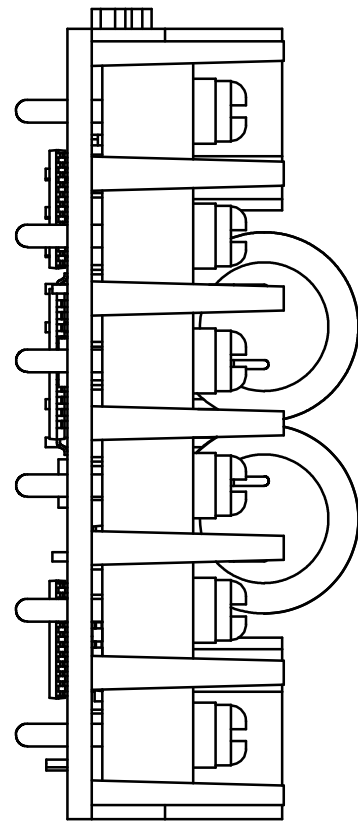
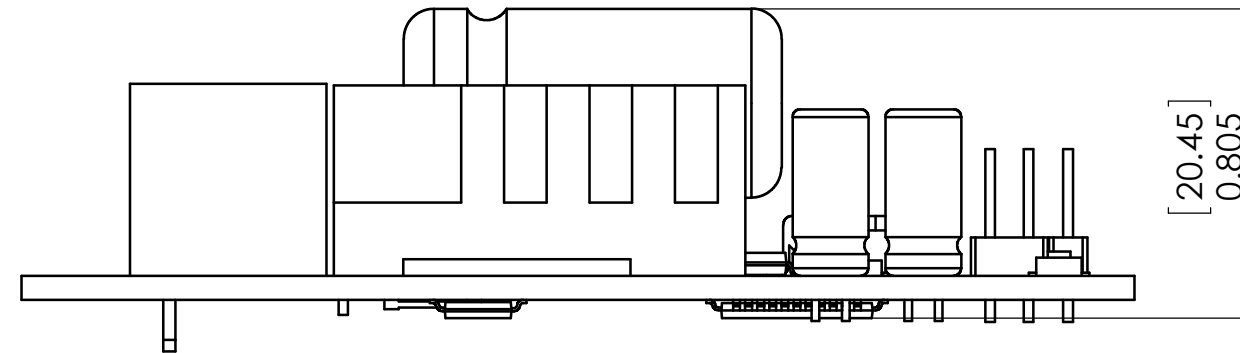
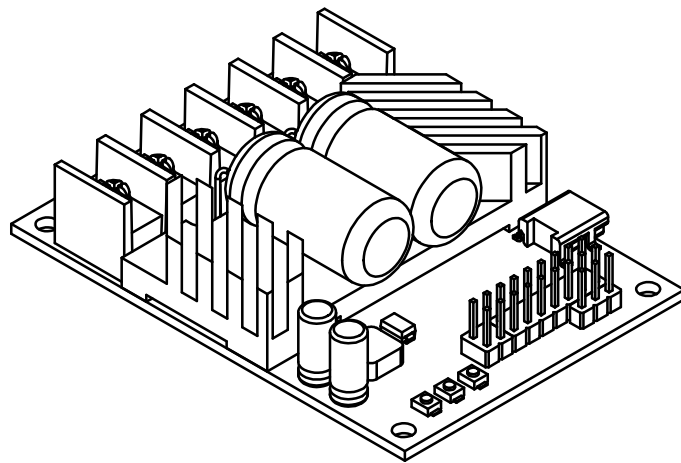


8 7 6 5 4 3 2 1

D
C
B
A




D
C
B
A



[20.45]
0.805

A

UNIT:	INCH[MM]	MATERIAL:		
TOLERANCES UNLESS OTHERWISE SPECIFIED		FINISH:		
ANGULAR:	± 1.0°	SCALE:	2:1	SHEET NO:
DECIMAL .X	± 0.1			1 OF 3
DECIMAL .XX	± 0.01	DRAWN BY:		DATE:
DECIMAL .XXX	± 0.005	Vinh		11/27/2014
COMMERCIAL TOLERANCES SHALL APPLY ON BAR ROD, WIRE, SHEET, ETC.		APPROVED BY:		PART NAME
				MC30A-DIMENSIONS-V4
		DATE:		PART NO.
				MC30A
		DATE:		REV
				1

8 7 6 5 4 3 2 1